

**Class Y2,300VAC,max.+105°C,metallized polypropylene,Noise suppression capacitor**

**[1] Features**

- International Safety approvals.
- Self-healing.
- Wide temperature range.
- For worldwide use in Y2(Line-to-earth)application.
- Pb(lead)-free product.
- RoHS Compliant product.



**RoHS Compliant**

**[2]Construction**

- [1]Style** :radial,rectangular thermo-plastic box.
- [2]Winding** :non-inductively wound self-healing metallized polypropylene film encapsulated with self-extinguishing epoxy resin in a flame retardant box(UL 94V-0).
- [3]Termination** :Pb-free tinned leads.

**[3]Specifications**

**[1]General data**

<b>Applicable standard</b>	IEC60384-14,EN132400		
<b>Rated voltage(URAC)50/60Hz</b>	300VAC		
<b>Capacitance range</b>	0.001uF~0.47uF		
<b>Capacitance tolerance</b>	±10%(K),±20%(M) at 20°C,1Khz		
<b>Climatic category</b>	55/105/21		
<b>Rated temperature(TR)</b>	+105°C		
<b>Max. application temperature(Tmax.)</b>	+105°C		

**[2]Electrical data**

<b>Withstand voltage</b>	DC voltage(cut-off current 10mA)	3,400VDC 1min.	
	AC voltage between leads and case	2,400VAC 1min.	
<b>Permissible <math>\frac{dv}{dt}</math> value</b>	100v/μs		
<b>Insulation resistance(Rins)</b>	CR ≤ 0.33uF	> 15,000MΩ	
	CR > 0.33uF	> 5,000s	
	between leads and case	> 30,000MΩ	
<b>Dissipation factor(DF)</b>	at 1Khz	at 10Khz	at 100Khz
	0.1%	0.2%	1.0%

\*CR = Nominal Capacitance in μF

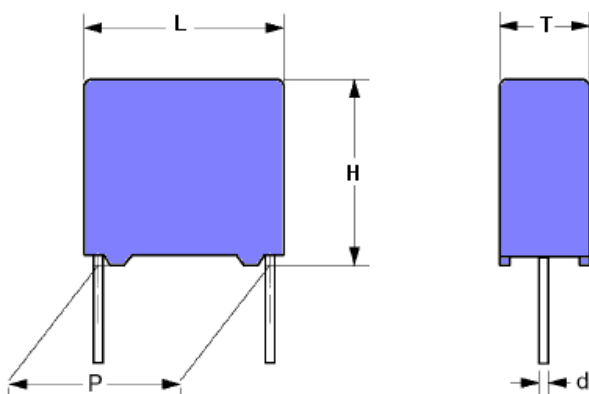
**[4]Ordering/part number information**

<b>CFS</b>	<b>99</b>	<b>P</b>	<b>F</b>	<b>Y2</b>	<b>30</b>	<b>103</b>	<b>K</b>	<b>C</b>	<b>050</b>
(1)	(2)	(3)	(4)	(5)	(6)	(7)	(8)	(9)	(10)

- (1)Kind of capacitor:noise suppression capacitor on AC mains
- (2)Shape of capacitor:rectangular,thermo-plastic box,radial
- (3)Dielectrics:polypropylene
- (4)Operating temperature:-55~+105°C
- (5)Sub class:Y2
- (6)URAC:expressed in tens of volts of AC.
- (7)\*Capacitance in pF:10,000pF=0.01uF
- (8)\*Capacitance tolerance:±10%
- (9)\*Packaging and lead configuration code:bulk,loose parts in a poly.bag,straight short leads with cut leads.
- (10)\*Lead length in tenth of mm:5mm

\*For further details,refer to [\[Part numbering system & taping specification\]](#)

**[5]Dimensions in mm**



uF	L	H	T	d
<b>pitch 10.0mm</b>				
0.001	12.5	10.0	4.0	0.6
0.0015	12.5	10.0	4.0	0.6
0.0022	12.5	10.0	4.0	0.6
0.0033	12.5	10.0	4.0	0.6
0.0047	12.5	11.0	5.0	0.6
0.0068	12.5	11.0	5.0	0.6
0.0068	12.5	12.0	6.0	0.6
0.01	12.5	12.0	6.0	0.6
<b>pitch 15.0mm</b>				
0.0068	18.0	11.0	5.0	0.8
0.01	18.0	11.0	5.0	0.8
0.015	18.0	12.0	6.0	0.8
0.022	18.0	13.5	7.0	0.8
0.033	18.0	15.0	8.5	0.8
0.047	18.0	16.5	10.0	0.8
<b>pitch 22.5mm</b>				
0.047	26.0	16.5	7.0	0.8
0.068	26.0	18.0	8.5	0.8
0.1	26.0	19.5	10.0	0.8
0.15	26.0	23.0	13.0	0.8
<b>pitch 27.5mm</b>				
0.22	31.0	23.0	13.0	0.8
0.22	31.0	25.0	15.0	0.8
0.33	31.0	28.0	18.0	0.8
0.47	31.0	31.0	21.0	0.8

\*For further details, refer to  [General technical information of \(RFI/EMI\)noise suppression capacitors on AC mains](#)